

Body: three way form

Version with diverting plug, for water and steam
 Pressure range: PN16, PN25, PN40
 Immersion length acc. to DIN EN 558, basic series 1
 Flanges acc. to DIN EN 1092-1/2 type 21
 Spindle sealing: spring-loaded PTFE-V-ring unit
 for media temperatures up to 250°C
 Alternatively: graphite-packing
 for media temperatures up to 450°C
 Internal parts: stainless steel, replaceable seat rings
 Flow characteristic: linear
 Positioning ratio: 30:1 (up to 50:1)
 Leakage: < 0,01% Kvs

Actuator: diaphragm area: 800 cm², Ø = 420 mm
 Control signal / closing pressure: see table
 Operating mode: "Spring closes straightway AB-A"
 Air connection: G1/4"
 Operating pressure: 3,8-5,5 bar

Accessories, special types:

I/P-Positioner, control signal 4...20 mA (see page 390 8)
 P/P-Positioner, control signal 0,2...1,0 bar (see page 390 5)
 Electro-pneum. transformer (see page 390 3)
 Solenoid valve for operating air (see page 393)
 Limit switches (see page 39e)
 Inductive limit switches (on request)
 Manual operating device (on request)
 Other kvs- values (on request)
 Weld-on ends (on request)
 Flange drillings acc. to ANSI / JIS (on request)



Order text:

Pneumatic control valve in three way form, with diverting plug
 Material . . . , PN . . . , DN . . . , Kvs . . .
 Spindle sealing with PTFE-V-ring unit
 Spring closes straightway AB-A
 Control signal . . . - . . . bar, closing pressure . . . bar
 List-No.: PN16: 332 4 . . Sg, PN25: 332 5 . . Sg, PN40: 332 7 . . Sg, PN40: 332 E . . Sg
 Accessories: . . .

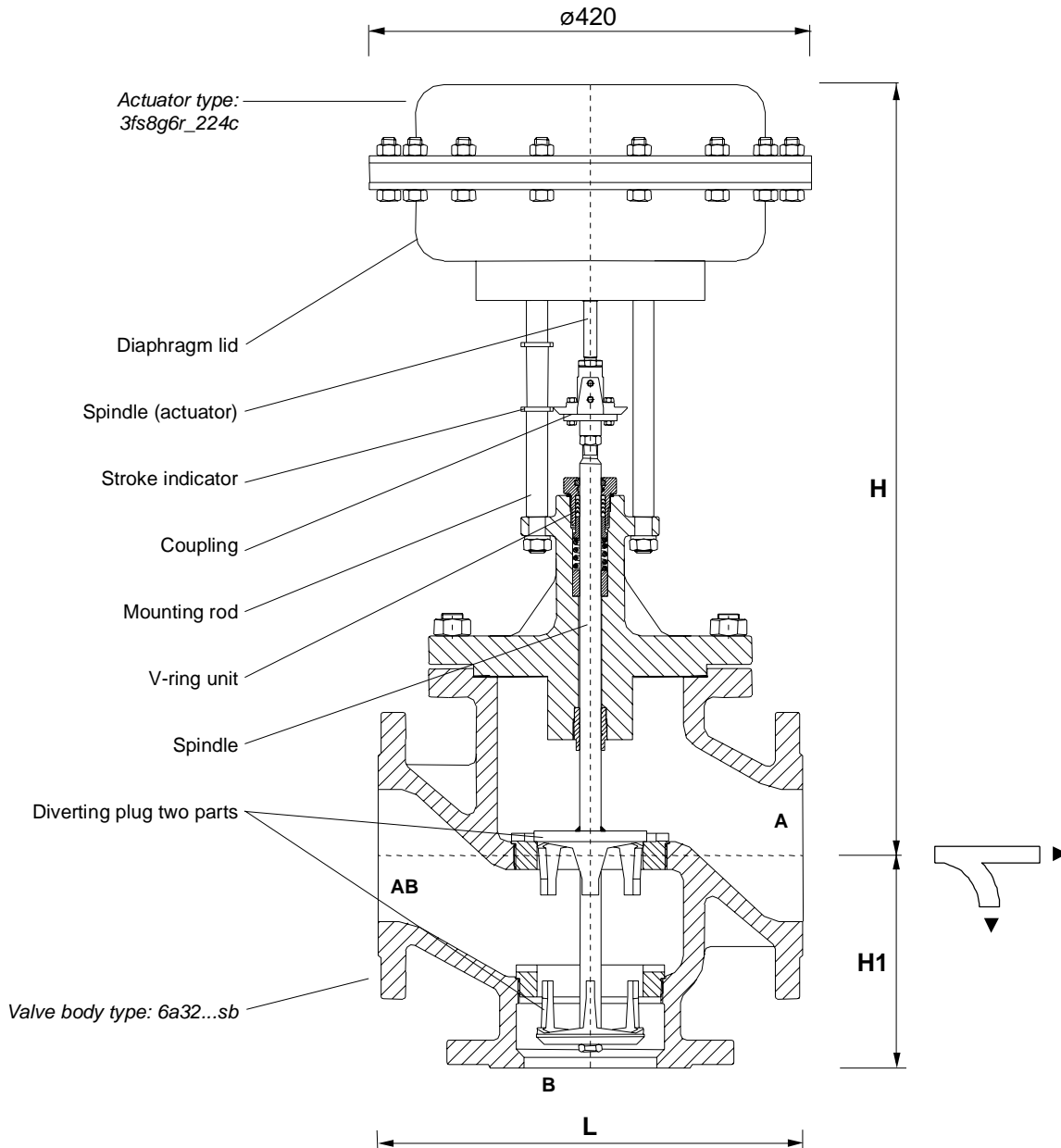
Pressure-temperature ratings acc. to DIN EN 1092-1/2:

by:	-10...50	100	150	200	250	300	350	400	450	°C*
PN16 332 4 EN-GJS-400-18-LT	16	16	15,5	14,7	13,9	12,8	11,2	-	-	bar
PN25 332 5 EN-GJS-400-18-LT	25	25	24,3	23	21,8	20	17,5	-	-	bar
PN40 332 7 GP240GH+N	40	37,3	34,7	30,2	28,4	25,8	24	23,1	13,2	bar
PN40 332 E GX5CrNiMo19-11-2	40	37,3	33,8	31,1	29,3	27,6	26,7	25,6	-	bar

* = max. 250°C for spindle sealing with PTFE-V-ring unit

DN	List-No.				Kvs m ³ /h	Stroke mm	Closing pressure** (bar) type ...Sg
	PN 16	PN25	PN40	PN40			
50	332 405Sg	332 505Sg	332 705Sg	332 E05Sg	27	20	25,0
65	332 406Sg	332 506Sg	332 706Sg	332 E06Sg	50	30	25,0
80	332 408Sg	332 508Sg	332 708Sg	332 E08Sg	83	30	24,7
100	332 410Sg	332 510Sg	332 710Sg	332 E10Sg	123	30	15,8
125	332 412Sg	332 512Sg			190	35	15,8
150	332 415Sg	332 515Sg			250	35	10,8

** = higher closing pressures and DN>200 on request, DN200: see page 3324/520Sf/g/h



DN	50	65	80	100	125	150
Height H	610	653	654	661	763	778
Stud length H1	100	120	130	150	200	210
Length L	230	290	310	350	400	480
Weight kg	62	79	81	94	150	170